



# Refrigerant Transmitter E2618-HFC



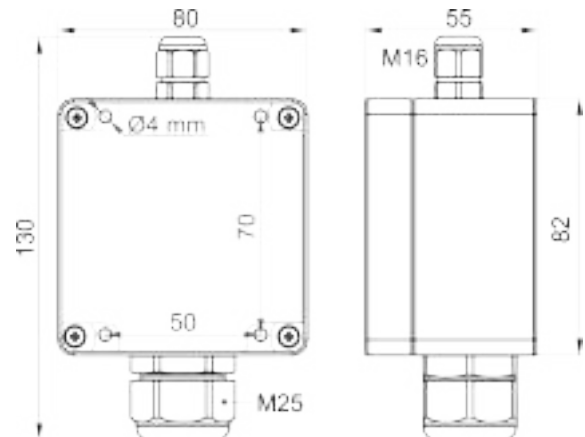
## Features

- Wall-mount or duct-mount version
- Accurate and stable measurement
- Industrial IP65 housing
- Two analog outputs settable to 4-20 mA or 0-10 V
- RS485 Modbus RTU digital interface
- Attached or remote sensor

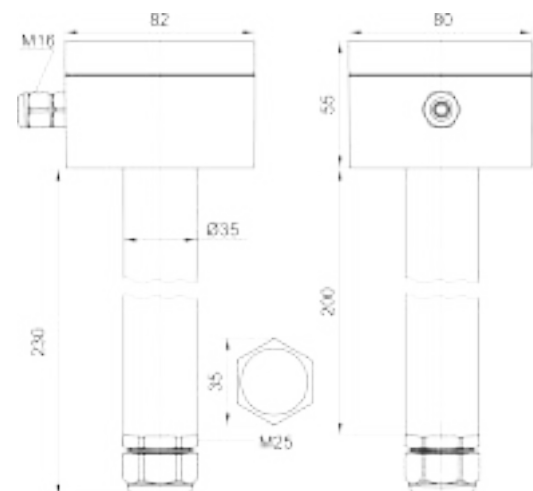
## Specifications

Detected gases	R-32, R-134a, R-404a, R-407c, R-410a, R-449a, R-454a, R-454b, R-454c, R-507, R-513a, R-514a, R-1234ze, etc.
Sensor type	Metal-oxide semiconductor
Sampling method	Diffusion
Detection ranges	0...1000 ppm 0...2500 ppm
Resolution / digital unit	1 ppm
Response time T80	<120 s
Signal update	Every 1 second
Sensor lifetime	> 5 years
Maintenance interval	12 months
Self-diagnostics	Full functionality check at start-up
Warm-up time	≤ 1 min
Power supply	12...36 VDC (default) 24 VAC as option
Power consumption	< 2 VA
Digital interface	RS485, Modbus RTU protocol
Analog outputs	2 × 4-20 mA / 0-10 V, user settable
Output scale width	Recommended: 20-100% of the range; > 10 × resolution in any case
Enclosure	Grey ABS plastic, wall mount, protection class IP65
Dimensions	H82 × W80 × D55 mm
Remote sensor probe	Protection IP65, shielded cable default cable length 3.0 m
Operating environment	Industrial indoor and outdoor locations
Operating conditions	-30...+60 °C, <95 %RH; Atmospheric pressure ±10%; Non-atex rated spaces; Normal ambient oxygen level;

## Wall mount version



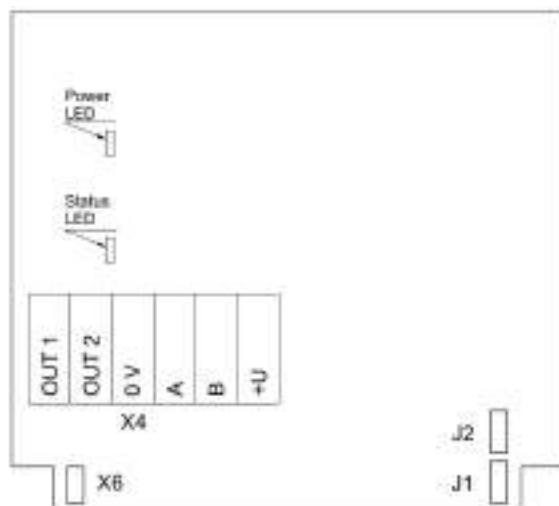
## Duct mount version



Ask for other versions or custom designed products



## Connection diagram



PCB without PSU and relays

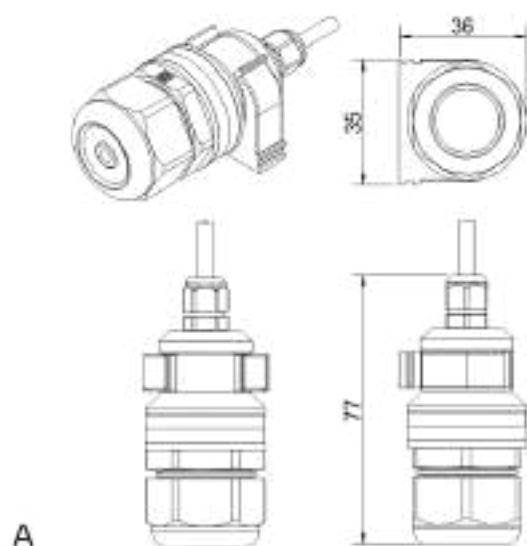
### Jumpers

- J1** OUT1 type (open: 4-20 mA; closed 0-10 V)  
**J2** OUT2 type (open: 4-20 mA; closed 0-10 V)  
**X6** Reset Modbus network parameters to default

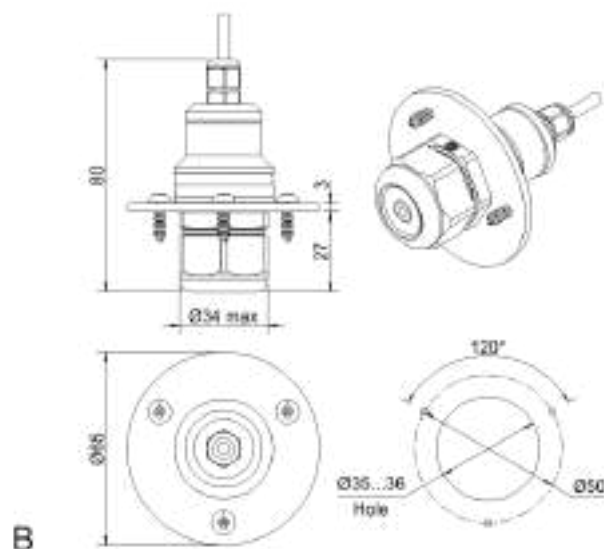
### X4 terminals

- OUT1** 4-20 mA / 0-10 V output  
**OUT2** 4-20 mA / 0-10 V output  
**0V** 0 V / 24 VAC Neutral (optional)  
**A** RS485 A / Data +  
**B** RS485 B / Data -  
**+U** +24 VDC / 24 VAC Phase (optional)

## Remote probe



Wall mount remote probe with fixing clamp (default version)



Remote probe with rubber flange and three self-tapping screws (on request)

