

PluraSens®



## Carbon Dioxide Detector-Transmitter

**E2638-CO2**

User Manual



# Table of contents

Carbon Dioxide	<b>2</b>
Specifications	<b>3</b>
Product description	<b>5</b>
Safety requirements	<b>6</b>
Operating conditions	<b>6</b>
Installation guidelines	<b>6</b>
Mounting dimensions	<b>7</b>
Mounting dimensions (50KN sensor)	<b>7</b>
Sensor probe handling	<b>7</b>
Electrical connections	<b>11</b>
Correct and incorrect cabling for 24 VAC	<b>13</b>
Operation	<b>13</b>
Maintenance	<b>15</b>
Calibration	<b>15</b>
Delivery set	<b>15</b>
Order code for E2638-CO2 options	<b>15</b>
Configuring	<b>16</b>
Return to default settings	<b>17</b>
Emergency mode	<b>17</b>
Modbus RTU Communication	<b>17</b>
RS485 communication interface	<b>17</b>
Communication parameters	<b>17</b>
Modbus holding registers	<b>19</b>
Warranty	<b>23</b>
Manufacturer contacts	<b>23</b>

## Carbon Dioxide

Carbon dioxide is a colorless, odorless, non-toxic, and non-flammable gas that is present in the Earth's atmosphere at a low concentration.

Chemical formula	CO <sub>2</sub>	
Molar weight	44	
Relative gas density (to air)	1.52	
Conversion	1 ppm = 1.80 mg/m <sup>3</sup>	
Boiling point	Sublimes	
Flammability	Nonflammable	
Odor	Odorless	
Hazards	Dust of various metals (Mg, Zr, Ti, Al, Cr, Mn) is ignitable and explosive when suspended in carbon dioxide. In concentrations up to 1% (10 000 ppm), it will make some people feel drowsy and give the lungs a stuffy feeling. Concentrations of 7% to 10% (70 000 to 100 000 ppm) may cause suffocation, even in the presence of sufficient oxygen, manifesting as dizziness, headache, visual and hearing dysfunction, and unconsciousness within a few minutes to an hour.	
Exposure limits (Directive 2006/15/EC)	TWA	9000 mg/m <sup>3</sup> / 5000 ppm
	STEL	Not specified

Conversion of ppm to mg/m<sup>3</sup> is calculated for 25°C and 1 atm.

## Specifications

Sensor type	Photoacoustic		Dual beam NDIR (optional)
Sampling method	Diffusion		
Ordering code	10K	40K	50KN
Detection range	0...10 000 ppm	0...40 000 ppm	0...5% vol.
Resolution / digital unit	1 ppm	10 ppm	0.01% vol.
Response time	T60 ≤ 60s		T50 ≤ 20 s; T90 ≤ 60 s
Sensor lifetime	Ca. 10 years		Ca. 5 years
Calibration interval	No field recalibration if ABC algorithm is enabled		12 months
Signal update	Every 5 seconds		Every 1 second
Sensor type	Photoacoustic		Dual beam NDIR (optional)
Power supply	12...36 VDC (default), 24 VAC or 230 VAC as options		
Power consumption	< 2 VA		
Analog outputs	2 × 4-20 mA / 0-10 V, user settable		
Outputs assignment	OUT1 gas; OUT2 gas <b>NOTE!</b> for LCD version only one output is available		
Output scale width	> 10 × resolution Recommended: 20-100% of the detection range		
Load resistance	$R_L < (U_s - 2 V) / 22 \text{ mA}$ for 4-20 mA $R_L > 250 \text{ k}\Omega$ for 0-10 V mode:		
Digital interface	RS485, Modbus RTU protocol; No galvanic isolation		
Enclosure	Grey ABS, wall mount, protection class IP65		
Dimensions	H90 × W145 × D55 mm (overall dimensions H140 × W145 × D55 mm)		
CE marking	According to 2014/30/EU and 2014/35/EU, EN 50491-4-1:2012 EN 61000-6-3:2020, EN 61326-1:2013(EMC, emissions) EN 61000-6-1:2019, EN 61000-6-2:2019(EMC, Immunity) EN 60079-29-1:2016, EN 60079-29-2:2015 and EN 60079-29-3:2014		
Operating conditions	-40 to +60 °C, 0...100% RH Explosion safe areas; pressure 0,9...1,1 atm; Non-aggressive atmosphere without condensation		

<b>Relay option</b>	
Output relays	2 × SPST relays (closing contact), 250 VAC / 30 VDC, 5 A max
Default alarm setpoints	Determined by user within 5-95% of the detection range
<b>Signalling options</b>	
Visual	Red and green LEDs
Acoustic alarm	Buzzer 85 dB
<b>LCD indicator option</b>	
Operating temperature	0...+50 °C
Display dimensions	72 × 36 mm
Number of digits	3.5, 7-segment
Character height	14 mm
Other features	Backlight
<b>Other options</b>	
Remote probe	Protection IP65, default cable length 3.0 m; max height 80 mm, max diameter 65 mm


## Product description

E2638 series detectors-transmitters belong to the PluraSens® family of multifunctional measurement instruments. The instruments utilize gas sensors of various types with excellent repeatability, stability, and long lifetime.

E2638 series provides two independent analog outputs OUT1 and OUT2, user-selectable to 4-20 mA or 0-10 V, proportional to gas concentrations. RS485 Modbus RTU digital communication interface allows easy instrument configuration and integration into various automation systems.

The following features are available as an option:

- Two relays RE1 and RE2 with closing contacts. Relay outputs can be used to switch alarm sirens, ventilation fans, shut-off valves, or other actuators,
- Acoustic (85 dB buzzer) and visual (red and green LED) signaling,
- 24 VAC or 230 VAC as options for power supply module,
- LCD indicator,
- Remote probe.

The version of your device is marked on the package. If the symbol  is marked on the equipment, consult the documentation for further information.

## Safety requirements

Misuse will impair the protection of the product. Always adhere to the safety provisions applicable in the country of use.

Do not perform any maintenance operation with the power on. Do not let water or foreign objects inside the device.

Removal of the PCB from the enclosure voids the warranty. Do not touch the electronic components directly, as they are sensitive to static electricity.

Connection diagrams can be found in the electrical connections section. The device might not perform correctly or be damaged if the wrong power supply is connected.

External circuits connected to the equipment should have sufficient insulation rating according to the environmental conditions and equipment power.

A disconnecting device that is marked as such and easily accessible should be included in the installation of this product.

## Operating conditions

The device should be used both in a non-hazardous area and in a basic electromagnetic environment, where the latter is defined in EN 61326-1. Avoid strong mechanical shock and vibrations. Avoid corrosive atmosphere and areas highly contaminated with dust, oil mist, etc. Keep the instrument away from direct sunlight. A sudden temperature or humidity change might affect the sensitivity of the sensor.

## Installation guidelines

Before proceeding with the installation it is mandatory to read the Safety requirements section and make sure to comply with all listed instructions. Installation standards EN 60079-29-2 and EN 45544-4 are also recommended for further instructions and related information about the installation. During the installation of the detector-transmitter the following points must be considered:

- Application (air quality control or leakage detection)
- Properties of the space under investigation (room geometry, direction, and velocity of airflows, etc.),
- Since CO<sub>2</sub> is heavier than air, it is recommended to locate the sensor not higher than the potential leakage. For air quality control place the sensor in the breathing zone.
- The device should be accessible for maintenance and repair.

The aforementioned conditions above will affect the coverage area of the device. however, the coverage area for a transmitter is usually between 2.5 to 5 meters radius.

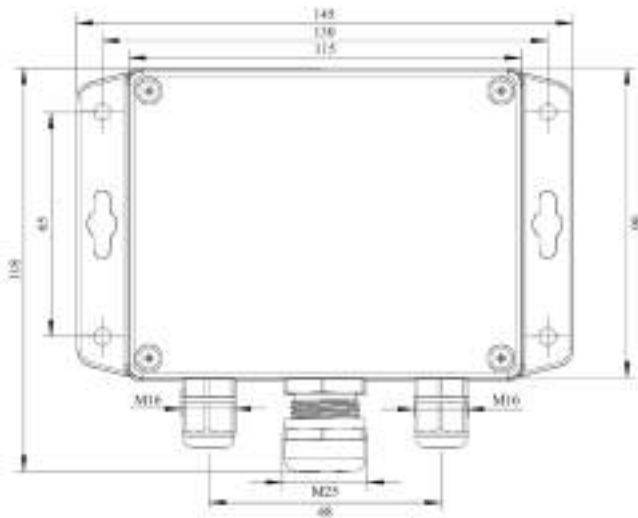
For early leakage detection install the sensor as close as possible to the potential leakage sources (flanges, valves, pressure reducers, pumps, etc.), taking into consideration other points listed above.

For general area monitoring without definite leakage sources, the detectors should be distributed evenly in the room.

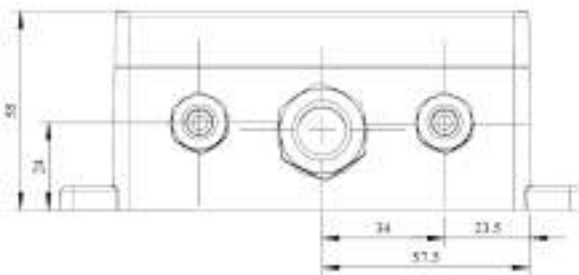
For personal safety control, the detectors are installed in the breathing zone (at the height of the head of people or animals). The recommended sensor position is vertical, pointing downwards.

For installing the device, attach the device to the wall using provided screws through the side mounting holes or key slots (see mountains dimensions).

## Mounting dimensions

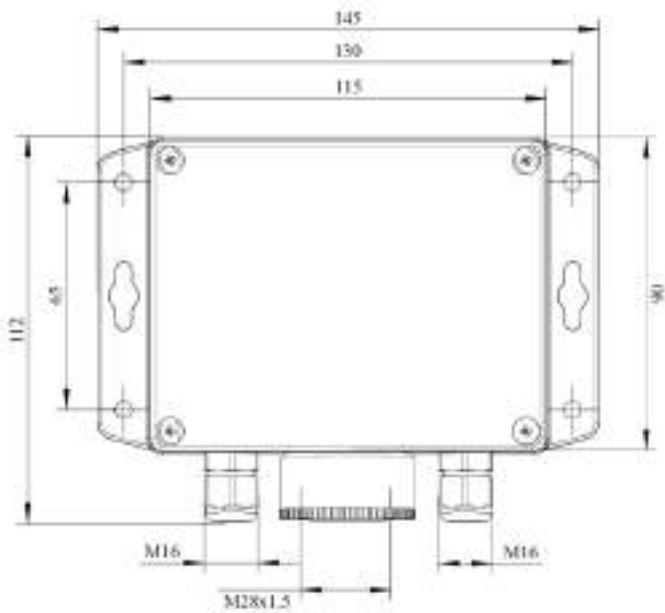


Front view

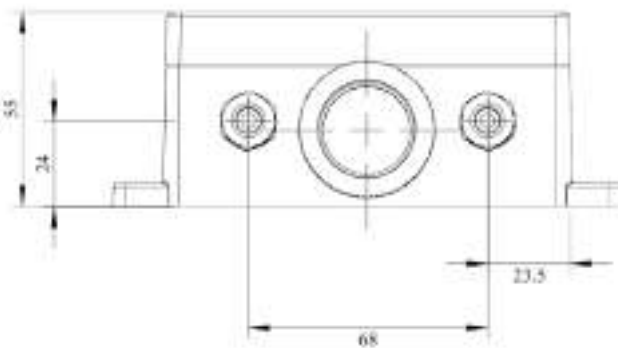


Bottom view

## Mounting dimensions (50KN sensor)



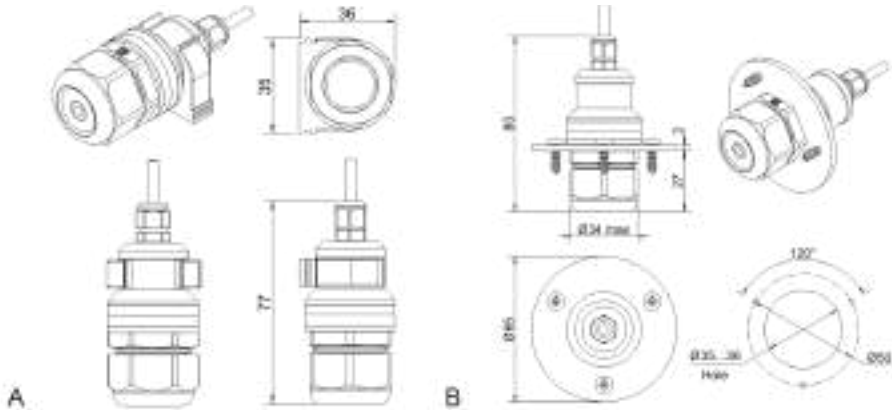
Front view



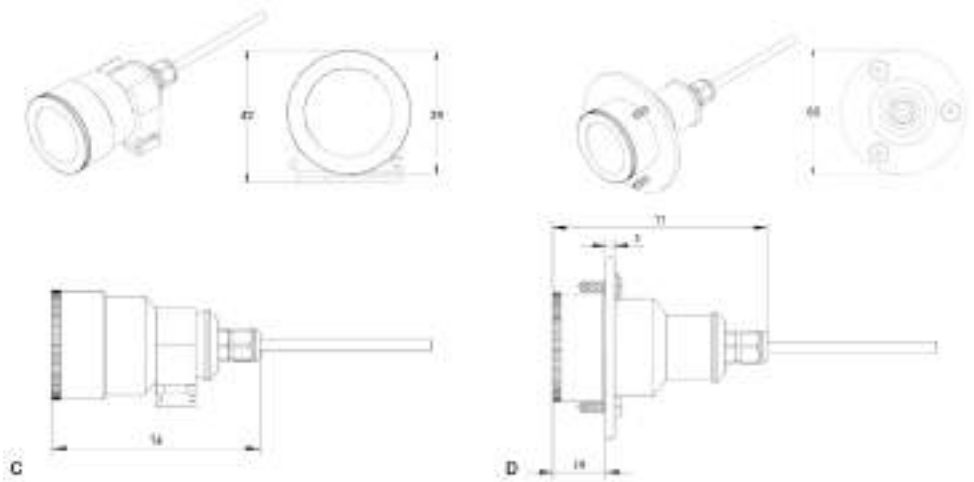
Bottom view

## Sensor probe handling

The E2638 series devices are available with a remote probe. The remote probe is connected to the main unit with a shielded cable. The default remote probe cable length is 3 m.



- A) Wall mount remote probe with fixing clamp (default version) ,  
 B) Remote probe with rubber flange and three self-tapping screws (on request)



- A) Wall mount remote probe with fixing clamp (default version),  
 B) Remote probe with rubber flange and three self-tapping screws (on request)

The sensor probes of all types are equipped with a hydrophobic microporous PTFE filter to protect the sensor from dust, dirt, and water drops. The filter should be replaced if it gets strongly contaminated. To replace the PTFE filter, unscrew the sensor head cap and remove the old filter. Place a new filter into the cap and tighten it again.

**NOTE!** Never stab or press the filter near its center where the sensor is located since this may damage the sensor. Do not remove the filter as it may cause the device to show incorrect values and/or break the sensor.

The recommended orientation of the sensor probe is vertical with the sensor tip pointing downwards. This prevents the possible accumulation of condensed water on the sensor protection filter.

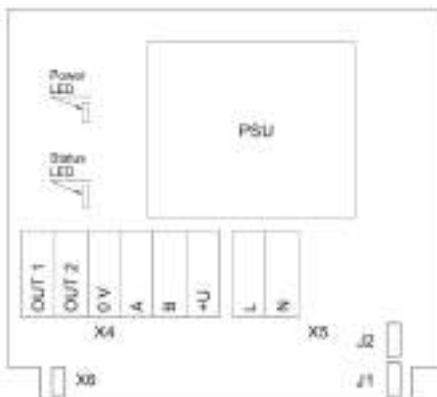
**NOTE!** Both sensors are replaceable only by the manufacturer.

## Electrical connections

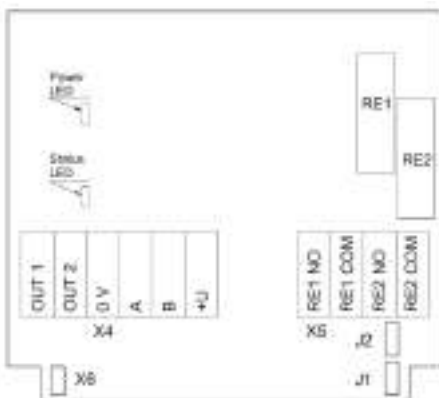
Unscrew four lid screws and detach the lid from the device. Use two M16 cable glands to let in the cables of the power supply and of the external devices. Without turning on the power, plug the power cable, and connect the analog/relay outputs and/or digital interface terminals to the necessary devices according to the relevant connection diagram.



Version with PSU and relays



Version with PSU and without relays



Version without PSU and with relays



Version without PSU and without relays

<b>Jumpers</b>	
<b>J1</b>	OUT1 type (open: 4-20 mA; closed 0-10 V)
<b>J2</b>	OUT2 type (open: 4-20 mA; closed 0-10 V)
<b>X6</b>	Reset Modbus network parameters to default
<b>X4 terminals</b>	
<b>OUT1</b>	4-20 mA / 0-10 V output
<b>OUT2</b>	4-20 mA / 0-10 V output
<b>0V</b>	0 V / 24 VAC Neutral (optional)
<b>A</b>	RS485 A / Data +
<b>B</b>	RS485 B / Data -
<b>+U</b>	+24 VDC / 24 VAC Phase (optional)
<b>X5 terminals (optional)</b>	
<b>L</b>	90...265 VAC Phase
<b>N</b>	90...265 VAC Neutral
<b>RE1 NO</b>	Relay 1, normally open terminal
<b>RE1 COM</b>	Relay 1, common terminal
<b>RE2 NO</b>	Relay 2, normally open terminal
<b>RE2 COM</b>	Relay 2, common terminal

The screwless quick connect spring terminals on the E2638 series devices are suitable for a wide range of wires with a cross-section of 0.2...1.5 mm<sup>2</sup>. We recommend stripping the wire end by 8...9 mm and using wire end sleeves.

To connect the wire, insert the wire end into the terminal hole. To disconnect, push the spring-loaded terminal lever, pull the wire out, and release the lever.

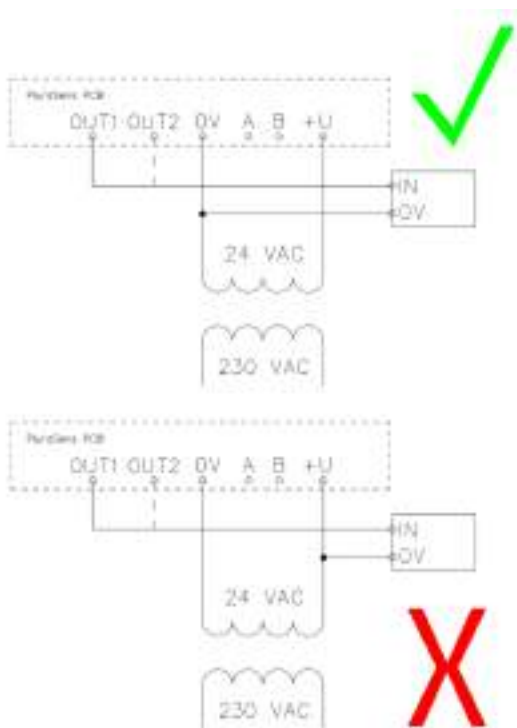
Use a twisted-pair cable, e.g. LiYY TP 2x2x0.5 mm<sup>2</sup> or CAT 5, to connect the device to the RS485 network. A and B on the device represent DATA+ and DATA- respectively, polarity must be respected when connecting to an external RS485 network.

Both analog outputs can be independently changed between 4-20 mA and 0-10 V type using jumpers J1 (OUT1) and J2 (OUT2). By closing pins on a specific jumper the related output is 0-10 V, with an open jumper the output is 4-20 mA. Power restart is required after changing the position of the jumpers.

**NOTE!** The outputs are not galvanically isolated from the external power supply and share a common 0V. Allowed load resistance limits are stated in the Specifications table. To power the instrument from an external power source, connect terminals 0V and +U to the source. If the integrated mains power supply module is used, connect terminals L and N to the mains.

**NOTE!** Actuator short-circuits should be avoided, to protect the instrument relays, use external fuses or safety switches.

### Correct and incorrect cabling for 24 VAC



## Operation

Turn on the power. The instrument warm-up time takes about 1 minute after switching on and the final sensor stabilization time to maximum accuracy takes about 15 minutes. The operating status is indicated by the LED on the PCB of the device. The control LED (red) response to different processes is presented in the following table:

Mode	LED mode
During calibration mode or sensor heating period (if activated)	0.5 Hz (50% on, 50% off)
Relay 1 turned on	Blinking 1 Hz (50% on, 50% off)
Relay 2 turned on	Blinking 2 Hz (50% on, 50% off)
During Modbus communication cycle	Short on-off pulses
Normal operating/measurement	Continuously on or off

Make sure that the detector-transmitter is properly mounted, the external devices connected, power LED (green) on and control LED (red) constantly lit. Place the lid back and fix it with the screws. The device is ready to use.

## Maintenance

Do not perform any maintenance operation with the power on.

Clean the device with a soft damp cloth. Do not use any abrasive cleaning agents. Do not immerse the device in water or any cleaning media.

## Calibration

E2638-CO2 gas detector-transmitters have been calibrated by the Manufacturer with standard gas mixtures before delivery. 10K and 40K sensors do not require recalibration if the ABC algorithm is enabled. Provided that the sensor is used under moderate conditions, field recalibration is recommended once a year for the 50KN sensor. Please contact your dealer for more information.

## Delivery set

- Detector-transmitter E2638
- Mounting accessories:
  - 4 screws with plastic dowels
  - Fixing clamp for remote probe version



### Order code for E2638-CO2 options

E2638 options	Order code
Remote probe, 3 m cable	E2638-CO2-RP33-3
Remote probe, 10 m cable	E2638-CO2-RP33-10 (for 50KN)
Duct mount option, stem $\varnothing 35 \times L 230$ mm	E2638-CO2-DM
Integrated 24 VAC power supply module	E2638-CO2-24VAC
Integrated 90...265 V mains power supply module	E2638-CO2-230
Local LCD single value display 36 mm x 72 mm	E2638-CO2-LCD
Remote LCD single value display, wall mount box 115 x 65 x 40mm, 3 m cable	E2638-CO2-RLCD3
Two SPST relays	E2638-CO2-R
Two LEDs (visual alarm)	E2638-CO2-LED
Buzzer (acoustic alarm)	E2638-CO2-B
Self-test button for relays	E2638-CO2-TB
Integrated coreless micropump	E2638-CO2-MP

## Configuring

A standard configuration kit includes a USB-RS485 converter, fixed flow regulator, gas tubing with applicators, and a software pack. Please contact your Seller for more information.

Detectors-transmitters E2638 share all functionalities of the PluraSens® multifunctional platform. The features and options include:

- Digital output change rate-limiting filter
- Digital integrating (averaging) filter
- Free assignment of each analog output to the chosen parameter
- Flexible setting of analog output scales for each output
- Output zero and slope adjustment for calibration
- Free assignment of each of two relays to the chosen parameter
- Several relay control logic modes
- Switch delays and minimum on/off state durations for each relay

The output scales can be changed by Modbus commands by using the configuration software and the standard configuration kit (see Modbus RTU Communication).

## Return to default settings

To reset the device's Slave ID, baud rate, and stop bit numbers to factory settings, proceed as follows:

1. De-energize the device
2. Connect the X6 jumper
3. Turn on the device
4. De-energize the device
5. Disconnect the X6 jumper
6. Turn on the device

**NOTE!** Cables should be connected/disconnected from PCB when the power supply is unplugged. Connecting or Disconnecting Live wires can result in Corrupt Firmware.

## Emergency mode

The current outputs of the E2638-CO2-10K and E2638-CO2-40K may be programmed via Modbus commands (register 255) to signal if the connection with the sensor is lost. The signal may be set to 3.5 mA or 21.5 mA.

## Modbus RTU Communication

### RS485 communication interface

Databits: 8 Parity: none / odd / even Stop bits: 1 or 2 Protocol: Modbus RTU	Supported Modbus functions: 03 – Read multiple registers 06 – Write a single register
---	---

### Communication parameters

Parameter	Permitted values	Default
Supported baud rates	1200, 2400, 4800, 9600, 19200, 38400, 57600	9600
Data bits	8	8
Parity	none / odd / even	none
Stop bits	1, 2	1
Protocol	Modbus RTU	
Modbus functions	03 - Read multiple registers 06 - Write a single register	
Error codes	01 – Illegal function 02 – Illegal data address 03 – Illegal data value 04 – Slave device failure (details of last error 04 can be read from register 0x0008)	

## Modbus holding registers

Register addresses are shown 0-based, Address in hexadecimal, Reg in decimal format. Modbus holding register numbers MHR are shown in the decimal 1-based format and may be addressed either from 00001 or 40001 base.

Address	Reg / MHR	RW	Description	Supported values (dec)	Default
0x0001	1 / 40002	R	Hardware version		-
0x0002	2 / 40003	R	Software version		-
0x0003	3 / 40004	R	Product serial number	1...65535	-
0x0004	4 / 40005	RW	Slave ID (net address) *	1...247 **	1

0x0005	5 / 40006	RW	Baud rate *	1200, 2400, 4800, 9600, 19200, 38400, 57600	9600
0x0006	6 / 40007	RW	Response delay, ms	1...255	10
0x0007	7 / 40008	RW	Stop bits, parity bit *	1 – No parity bit, 1 stop bit (default after factory reset) 2 – No parity bit, 2 stop bits 3 – Odd parity, 1 stop bit 4 – Even parity, 1 stop bit <b>NOTE:</b> 3 and 4 are available starting from the Software version 0x218 (dec. 536)	1
0x0008	8 / 40009	R	Last error code	1...255	-
0x0011	17 / 40018	RW	Technological: age of last data in seconds (read) / restart (write)	0...65535 s (read), writing 42330 restarts the instrument	-

0x00A5	165 / 40166	RW	Zero adjustments for gas data, ADC	-32000...+32000 ADC units	0
0x00A6	166 / 40167	RW	Slope adjustment for gas data	1...65535	512
0x00A7	167 / 40168	RW	Change rate limit for gas units/ s	1...32000, 0 - no limit	0
0x00A8	168 / 40169	RW	Integrating filter time constant, s	1...32000 (seconds), 0 - no filter	0
<b>Address</b>	<b>Reg / MHR</b>	<b>RW</b>	<b>Description</b>	<b>Supported values (dec)</b>	<b>Default</b>
0x00C9	201 / 40202	RW	Parameter tied to analog output 1	0 – None 2 – Gas concentration 9 – Forced Modbus control, value set in MHR / 40204	2
0x00CA	202 / 40203	RW	Parameter tied to analog output 2	0 – None 2 – Gas concentration 9 – Forced Modbus control, value set in MHR / 40205	2
0x00CB	203 / 40204	RW	Forced value for analog output 1***	0...1000 (0.0%...100.0% of output scale)	0
0x00CC	204 / 40205	RW	Forced value for analog output 2***	0...1000 (0.0%...100.0% of output scale)	0

0x00D3	211 / 40212	RW	Parameter tied to relay RE1	0 – none 2 – gas concentration 9 – control by Modbus control, state set in MHR / 40214	2
0x00D4	212 / 40213	RW	Parameter tied to relay RE2	0 – none 2 – gas concentration 9 – control by Modbus control, state set in MHR / 40215	2
0x00D5	213 / 40214	RW	Forced state for relay RE1***	0 – off, 1 – on	0
0x00D6	214 / 40215	RW	Forced state for relay RE2***	0 – off, 1 – on	0
0x00D7	215 / 40216	RW	Switching delay for relay RE1	0...1000 (s)	0
0x00D8	216 / 40217	RW	Switching delay for relay RE2	0...1000 (s)	0
0x00D9	217 / 40218	RW	Minimal on/off time for relay RE1	0...1000 (s)	0
0x00DA	218 / 40219	RW	Minimal on/off time for relay RE2	0...1000 (s)	0

Address	Reg / MHR	RW	Description	Supported values (dec)	Default
0x00DB	219 / 40220	RW	Control logic for relay RE1	<p>0 – none 1 – relay on at high values 2 – relay on at low values 3 – relay on at values within the range 4 – relay on for the values out of the range</p>	0

0x00DC	220 / 40221	RW	Control logic for relay RE2	<p>0 – none  1 – relay on at high values  2 – relay on at low values  3 – relay on at values within the range  4 – relay on for the values out of the range</p>	0
0x00DD	221 / 40222	RW	LOW setpoint for relay RE1	0...65535 (gas units)	see Specifications
0x00DE	222 / 40223	RW	HIGH setpoint for relay RE1	0...65535 (gas units)	see Specifications
0x00DF	223 / 40224	RW	LOW setpoint for relay RE2	0...65535 (gas units)	see Specifications
0x00E0	224 / 40225	RW	HIGH setpoint for relay RE2	0...65535 (gas units)	see Specifications
0x00FF	255 / 40256	RW	Sensor, analog outputs, LED and buzzer status	bit[0]=0/1 – sensor present/absent, <b>RO</b> bit[1]=0/1 – analog outputs deactivated/activated bit[2]=0/1 – in case the sensor is absent, turn signaling off/on analog output1 bit[3]=0/1 – in case the sensor is absent, turn on signaling with low current/high current on analog output1; if bit[2]=0 this bit will be ignored bit[4]=0/1 – in case of sensor absent, turn signaling off/on analog output2 bit[5]=0/1 – in case of sensor absent, turn on signaling with low current/high current on analog output2; if bit[4]=0 this bit will be ignored bit[6]=0/1 – current/voltage output detected on output1, <b>RO</b> bit[7]=0/1 – current/voltage output detected on output2,	

				<b>RO</b> bit[8]=0/1 – LED deactivated/activated bit[9]=0/1 – buzzer deactivated/activated bit[10]=0/1 - LED is on/off in normal condition bit[11]=0/1 - 1 Hz (50% on, 50% off) LED signal off/on if relay1 turned on bit[12]=0/1 - 2 Hz (50% on, 50% off) LED signal off/on if relay2 turned on	
0x0101	257 / 40258	R	Raw gas sensor data	0...4095, ADC units	
0x0103	259 / 40260	R	Gas concentration, gas units	0...65535, gas units	
0x0105	261 / 40262	RW	0% value for analog output 1	-32000...+32000, gas units	User defined
0x0106	262 / 40263	RW	100% value for analog output 1	-32000...+32000 , gas units	User defined
0x0107	263 / 40264	RW	0% value for analog output 2	-32000...+32000, gas units	User defined
0x0108	264 / 40265	RW	100% value for analog output 2	-32000...+32000, gas units	User defined

\* – The new value is applied after restart.

\*\* – Broadcast slave ID 0 can be used to assign a new ID to the instrument with an unknown ID. When addressing by ID 0 the device shall be the only Modbus instrument in the network. The device will not respond to the Master command when addressed by ID 0.

\*\*\* – This value is dynamic and not kept in EEPROM after a restart.

## Warranty

This product is warranted to be free from defects in material and workmanship for a period of one year from the date of the original sale. During this warranty period, the Manufacturer will, at its option, either repair or replace a product that proves to be defective. This warranty is void if the product has been operated in conditions outside ranges specified by the Manufacturer or damaged by customer error or negligence or if there has been an unauthorized modification.

## Manufacturer contacts

Evikon MCI OÜ

Teaduspargi 9, Tartu

50411 Estonia

[info@evikon.eu](mailto:info@evikon.eu)

[www.evikon.eu](http://www.evikon.eu)

